



SL-35, 45, 70

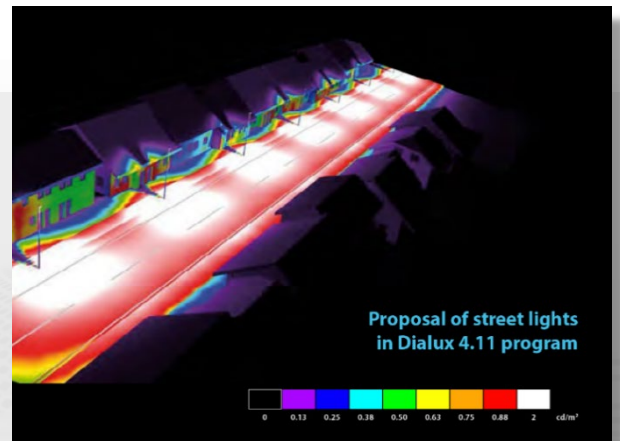
ENERGY SAVING LED STREET LIGHT

Street light of modern design is low weight and meets high quality requirements. The aluminium construction endures severe weather condition and is impact resistant. Optical part is equipped with special power optic street light parts that produce the brightness and colours on the road surface, max. luminous flux and zero light pollution. Openings around the reflector help to eliminate the heat pollution by producing air flow and dust cleaning during rains. Standard minimum cost maintenance is tool free.

This streetlight is suitable for public lighting: e.g. highways, freeways, local roads, rural roads and also for streets, parking areas, bicycle paths, pedestrian zones and many others.

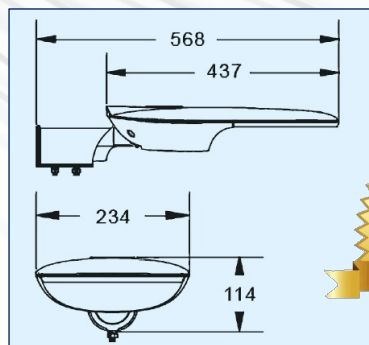
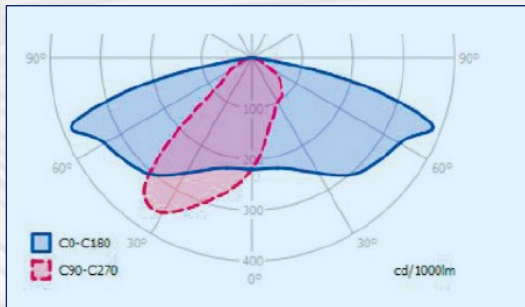


SL-35
SL-45
SL-70



PROPOSAL OF STREET LIGHTS IN DIALux 4.11 PROGRAM

OPTICS 830



SPECIFICATIONS SL-35, 45, 70

External dimensions	568 x 234 x 114 mm
Nominal energy input*	35 W
Frequency	50 60 Hz
Efficiency	95 %
Nominal luminous flux Lm*	>4200 Lm
Colour temperature (K) *	2700-6000 K
CRI	70>Ra
Coverage	IP 66
Material	Aluminium, Hardened glass, PMMA
Package dimensions (mm)	650 x 305 x 198 mm
Product weight (kg)	4,5 kg
Durability	100 000
Warranty	5
Working temperature	- 40 / + 50 °C
LED light output	120 – 150 Lm/W

The lights are supplemented with a SMART function for regulating the lighting intensity

*note: on request